

STOP PRESS: We have a special program by Gary Ernst - KØGVB from West Branch. Gary was on a recent DX-pedition and will share his travels with us.

EIDXA NEWSLETTER

3-12-81

The next scheduled meeting for the EIDXA will be April 3, 1981 at 7:30 at the Marion R. E. C. Center. This meeting should give everyone a chance to compare their efforts in the ARRL DX bashes.

Items to be covered include:

- 1) 1982 Convention Report
- 2) Repeater Committee Discussion
- 3) General Business

This issue contains some of the operating aids and guidelines for the new members that have appeared before. Hopefully they will prove helpful to the membership.

W Ø W P
TOM LINDGREN
1260 13th Ave.
Marion, Iowa 52302

To: WØSR

2

Editors Scratch pad:

For the record, WØWP is this issues editor. Rick ADØF skipped to W2 land for improved low band propagation. On behalf of the club, we'd like to wish Rick and Dee good luck! CU in piles Rick.....

Due to Rick's departure, the EIDXa will elect a new Vice President at the April meeting.....

WØIZ and WØWP attended the Burlington, Iowa amateur clubs banquet and show earlier this month. "The 25 Greatest Dx-peditions" show presented by Hugh WA4WME was exceptionally well done. The folks in Burlington especially WØNB, WØJI, and KØKOP were just great hosts for a first class dxers show!

The new KWM380's are really showing up in the club, some of the newest proud owners are KØAT, WØUZ, WBØPYD, WØEJ, and KØJSY.....

NØAFL, Dave and KCØQ, Jeff are really tearing up the ionosphere these days. Both Jeff and Dave have made substantial strides in there DXCCs... Watch out you old time dxers, these dx sleuths are for real!

Speaking of Jeff KCØQ, his Super Keyer pcb and parts kit are available at the Parts Store in Marion.....

Roger N4RR broke his leg. No he didn't fall off his tower(with his sky needle more extensive damage is a certainty). He slipped pushing his automobile out of his garage. The accident ocured one week prior to the arrl dx competition cw. Roger had been waiting impatiently for months to participate this year in the big contest. Giving it a valient effort Roger had to rest the leg after several hours of operating..... even with the bad leg though Roger is still knocking off the zones for his five band WAZ. Last count he had only 7 left to go !

WØIZ confirmed Tim BV2A on 14 cw ! Congrats to the new EIDXa extra class hams Eric WBØPYD, Joel WBØYUI, and Jan KFØZ (NØAYM). Super job fellas!

On the Domestic Scene- Have you read the CR Gazette Sports section lately? If so you probably have seen Curt Benson's picture there. KØAT's son Curt, won the state high schools 200 yard freestyle swimming title last week in Ames. Would you believe he is only a sophomore?

Congradulations to KØJSY on his new job promotion, Director of the Linn County Health Dept. Also Keith has move into his new home on hillside with plenty of room for antennas. He says watch out for the big signal from him next fall!

AKØM Steve, and KDØQ Glenn, are each proud new fathers recently!

KBØV Matt, tied the ribbons with his new XXL Becky, December 28!

The Waterloo Club has elected Jim WBØUFL there Vice President, and Steve AKØM there Secretary!

Minutes of EIDX meeting of Sept. 19, 1980. The meeting was called to order by president KØJSY at 7:40 at the REC building in Marion, Iowa

Members in attendance were CF, AFL, SML, IZ, WP, M, INR, AL, GT, SR, VX, EIF, VM, PR, AYM, JSY, LUZ, F, EJ, GA, Q.

Visitors in attendance were K8BI, WØPPF, WDØBKT, WAØGCX, and ~~WØSML~~

Minutes of the last meeting were read and approved.

Treasurers report reported an amount of \$157.66 in the treasury. WØWP submitted bills of \$15.13 for mailings and \$15.42 for coffee and donuts. Coffee donations for the evening amounted to \$8.25. The club also accepted \$14.25 from the qsl committee for money received above expenses.

KØJSY has been appointed by CQ magazine as official checker of qsls for CQ awards.

The ARRL National Convention will be held in Cedar Rapids in 1982. KØJSY is representing the EIDX on general planning with CVARC committee. A committee for the DX portion of the convention to be hosted by EIDX was formed. WØSR and WØWP were appointed as committee members.

KØJSY thanked the officers of 1979 for their help.

WØWP gave a report on contest awards within the club to add incentive in participation. The committee is setting up criteria so that all members have a chance of winning a certificate or plaque. WØSML moved that the existing committee continue their project by organizing and developing an incentive program. WØVX seconded and the motion carried.

KØCF gave a report on the qsl committee. 14 members got qsls this time. KØCF moved that \$14.25 left over be donated to the club. The motion was seconded and it carried. Qsls can be ordered if new members want to order or old members reorder. It is less expensive however, if several members order at the same time. Example:

| | |
|--------------------------|---------|
| 3000 cards for 9 members | \$31.88 |
| 3000 cards for 3 members | \$46.55 |

A motion was made for the secretary to send copy of new CQ WW contest log to all members. Motion was seconded and carried.

WØVX moved to make 1000 copies of the new CQ WW form. WØSML seconded and the motion carried.

KØVM gave a report on the progress of the EIDX repeater. A repeater is now on with about 20 miles mobile coverage. The frequencies are 144.57 input/ 145.17 output. Items stilled for the project are transmit antennas, lockable cabinet, and some power supply components. The receive site has been arranged but a transmet site is still needed. The club and committee are looking for a site.

WØSR moved that the repeater committee prepare a financial proposal for completing the repeater installation. At that time the club will decide if we will have a repeater. Motion was seconded and carried.

Page two of Sept. 19, 1980 meeting

Election of officers:

Nominated for president: N4RR and W0EJ-----elected W0EJ

Nominated for vice president: AD0F, K0INR, and KB0PR-----elected AD0F

Nominated for secretary: K0LUZ-----elected K0LUZ

W0SML moved to make the REC building our permanent meeting place. Motion was seconded. The motion did not carry.

The meeting was adjourned at 9:16.

Respectfully Submitted

Gary Letchford K0LUZ

Gary Letchford K0LUZ
Secretary EIDX

DX

Are you a big gun?

John Yodis, K2VV

A lot of intangibles go into designating an amateur as a "Big Gun" or even a "Little Pistol." If you're not quite sure if you or someone else belongs in one of these categories, this guide may be of value.

| Big Gun | Little Pistol | Lost Cause |
|--|--|---|
| Clears his throat in a pileup and receives 40 over 9 report. | Is last W2 to get through and is 40 minutes late for work. | Wastes 4 hours calling with no luck — finds cat strangled by irate neighbor with TVI. |
| Is immediately called by name by DX station. | Usually has to spell his name four times phonetically. | Is called colorful names by DX station for interrupting phone patch. |
| Writes critiques of technical articles in ham radio. | Had letter to the editor printed in QST. | Has lifetime subscription to "73". |
| Knows beam heading of every DXCC country. | Knows roughly where Japan and Europe are. | Turhs 2-meter beam toward the other guy's house when working him through repeater. |
| Has made high claimed scores listing in last 8 ARRL DX contests. | Was highest-scoring Novice in section in his first ARRL Sweepstakes. | Tied for fourth place in NYS in last Rhode Island QSO Party. |
| Speaks 14 languages well enough to get a QSL. | Picked up a few dirty French words in WWII — uses them to insult VE2's on 75M. | Has been spelling "amateur" wrong all his life. |
| Receives QSL shipments from bureau by UPS. | Receives QSL shipments from bureau by first class mail. | Still gets QSL samples from "Little Print Shop". |
| Has 5BDXCC and 3 ZA QSLs on wall. | Has 40M WAS and King Hussein's QSL on wall. | Has RCC and ARRL membership certificates on wall. |

— Albany ARA, NY

From the Prez-

This next meeting promises to be an important one for the EIDXA. Some important old and new issues need to be decided and I urge all members to attend.

One important item will be the election of a new club vice president. As many of you are aware, ADØF headed east recently vacating the post. When you come to the meeting, be sure to bring the nominee of your choice along. However, he need not be present to win.

The repeater committee has been reorganized and WØMJN is the new chairman. The committee will again make a presentation and offer some recommendations. In view of the lengthy discussion of this topic at the last meeting, it is the hope of many that this matter can be decided quickly in April.

A big "Thank You" goes to Tom, WØWP, for putting out our first newsletter of the year. Tom stepped in to handle this chore when ADØF left.

Best DXing to all and see you at the April meeting.

- 73,
Wade Walstrom WØEJ

shorts...

KDØH Lloyd has QSYed to New York to take up residence. Lloyd received a company promotion which required his departure. From the EIDXAers best of luck Lloyd!

FOR SALE: DRAKE TR-4CW/RIT, AC-4, 10m crystals, spare tubes, 2 yrs old, \$550. Fred KØAT 362-4962

WANTED: The no. 200 DXCC sticker (old style) if you have one to spare please contact WØVX Dave.

The EIDXA weekly net meets every Wendsday at 9:30PM on 146.16-76 WØGQ repeater. Our net control is KØLUZ Red. The purpose of the net is to exchange club information and DX tips. Your participation would be appreciated.

REMINDER: The CQ WPX phone test is March 28-29; the CQ WPX cw test is May 30-31. This will be the first time that the club will participate as a group in these contests. As with all the club aggregate totals they will be totaled by the club secretary, KØLUZ.

14 October 1980

TO: EIDX Members
FROM: Repeater Committee

Subject: Repeater update and cost estimates

Planning work for the .57/.17 EIDX repeater is continuing. We will soon be facing a decision on implementation of the plan. This letter will bring you up to date on the latest developments and cost estimates.

Tentative sites for the transmitter and receiver have been located on the NE side of Cedar Rapids. These sites should provide good coverage in Eastern Iowa similar to the CVARC .16/.76 machine. Use of the sites will be free to the club with the possible exception of liability insurance.

It is estimated that the repeater will cost the club about \$800. A breakdown of the costs follows:

| ITEM | COST |
|------------------------|--------------|
| 1. .57 receiver | \$300.00 |
| .17 transmitter | |
| repeater control logic | |
| remote control system | |
| UHF cross link | |
| 2. 130 watt PA & PS | 250.00 |
| 3. transmit antenna | 200.00 |
| hard line coax | |
| 4. locking cabinet | <u>50.00</u> |
| | \$800.00 |

This amounts to about \$20.00 per member and hopefully can be reduced by careful acquisition and hardware donations. Please note that no money has been spent or committed as of yet even though an experimental repeater is presently operating on .57/.17 at KØVMs QTH.

These are the facts as we know them. Putting the repeater on the air will depend on membership vote at the next meeting. If you support the idea and can contribute cash, hardware, and/or labor please let the committee know. If you have heartburn about what we are doing we also would like to know.

73,
WØFO, KØVM, & WØVX

TO ALL EIDXА CLUB MEMBERS:

As you may already know, I'll be leaving the Cedar Rapids area at the end of February. I was faced with a career decision that was not easy to make. I will be relocating in Rochester, New York to accept a position with the RF Communications Division of the Harris Corporation. I regret that my involvement on 147.57 and the HF bands was not what I intended but with many hours of overtime at work and some of the potential "Legal" battles I was faced with, it just was not practical.

I have enjoyed the association very much and would really like to have stayed in the area but contrary to popular belief some things wind up being more important than pile-ups, late nights on 80, etc. With these comments in mind I would like to resign my Vice-Presidency in the EIDXА and be placed on the inactive member status.

I look forward to catching you around the bands once I get situated (could've sworn I just did that) in New York. Please keep in touch and I'll look for you all in the pile-ups.

Sincerely

Rick ADØF

P.S. My new address will be:

Richard Heinrich ADØF/2
3565 Ridge Rd.
Williamson, NY 14589

CQ
76 North Broadway
Hicksville, NY 11801

Dear Sir:

Enclosed are scores for the Eastern Iowa DX Association for club scores in 1980 CQ WW Contest.

| Call | Phone Score | CW Score |
|--------|-------------|-----------|
| NØAFL | 38,400 | |
| KØAL | 37,535 | |
| NØAYM | | 67,800 |
| KØAT | 1,419,204 | |
| WDØAWL | 30,000 | |
| WØEAN | 93,912 | |
| WDØEIF | 704,815 | |
| ADØF | | 60,000 |
| KØGT | 13,930 | |
| KDØH | 225,340 | |
| KØLUZ | | 1,049,600 |
| AKØM | 159,278 | 38,682 |
| WØMJN | 191,760 | |
| WØPPF | 49,253 | |
| KBØPR | 553,308 | |
| KDØQ | 595,602 | 286,748 |
| WØSR | 107,450 | 117,392 |
| KBØSY | 12,340 | |
| KØVM | 436,278 | |
| WØVX | | 86,598 |
| WØWP | | 1,126,681 |
| TOTALS | <hr/> | <hr/> |
| | 4,668,405 | 2,833,501 |

Total of both phone and CW 7,501,906

Sincerely,

Gary Letchford KØLUZ

Gary Letchford KØLUZ
Sec. Tres. EIDXA

CONTESTING-

The following paragraphs are from N6OP's new "The Contest Cookbook" available from 73 magazine.

The Four Commandments of Contesting

The following four "commandments of contesting" are just as relevant to the advanced contester as to the beginner, but on a more sophisticated level of understanding. They cannot truly be taught, but must be experienced and then assimilated into one's contest repertoire of skills and tricks. One or more of these commandments were mentioned by many contributors, but W3ZZ perhaps puts them best:

KNOW YOURSELF

Only you know your own physical and mental limitations... There are ways of improving at least your mental approach, but there are limits beyond which each individual cannot go.

KNOW YOUR STATION

This means knowing its strengths and weaknesses...on which band you are low and when, and the reverse...how to change bands rapidly...how to use your particular receiver...etc.

KNOW PROPAGATION

You must be active from day to day so you don't guess the propagation, you know it. You should know who's where for DX so well that you could write the DX bulletins.

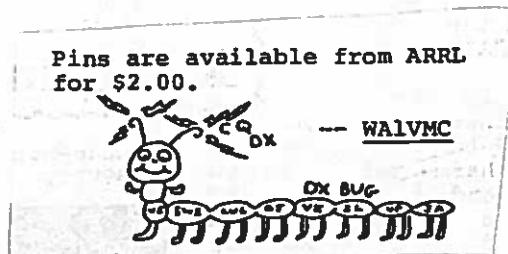
PRACTICE, PRACTICE, PRACTICE.

You do not become a great contest operator overnight. If you aspire to win the major contests (SS, CQ WW & ARRL DX Tests), you must use other contests to practice. Operate the CD parties and PD for SS; operate WAE, all Asia, and WPX for the DX contests.

N6DX paraphrases these same concepts in a brief but effective manner: "Don't forget that a contest is a final exam encompassing all aspects: propagation, antennas, receivers, transmitters, accessories, operating skill, ingenuity, etc. To win you must go to the limit in every category."

In the midst of all this striving for perfection, however, it is also important to maintain some sense of balance or sense of humor. As W5XX puts it: "Dont get bent out of shape in the pileups!"

GO GETTUM EIDXaers!



10

EIDX DX CENTURY CLUB STANDINGS
as published in QST as of March 1, 1981

| MIXED | | PHONE | | CW | |
|-------------|--------------|-------------|--------------|-------------|--------------|
| <u>CALL</u> | <u>TOTAL</u> | <u>CALL</u> | <u>TOTAL</u> | <u>CALL</u> | <u>TOTAL</u> |
| WØSR | 313 | WØSR | 308 | WØWP | 286 |
| WØIZ | 312 | KØGT | 270 | WØSR | 272 |
| N4RR | 307 | WØIZ | 251 | N4RR | 240 |
| KØLUZ | 303 | KØLUZ | 240 | WØVX | 189 |
| WØWP | 300 | KØJSY | 230 | KDØQ | 115 |
| WØVX | 287 | KØCF | 229 | WØUZ | 100 |
| KØJSY | 230 | WØVX | 207 | | |
| KDØQ | 226 | NØAFL | 202 | | |
| KØAL | 225 | WDØAWL | 194 | | |
| WBØYUI | 177 | KØINR | 145 | | |
| KØINR | 171 | WØEAN | 139 | | |
| WØEJ | 165 | KBØPR | 139 | | |
| WØUZ | 111 | WBØUFL | 127 | | |
| WBØUFL | 108 | KØAL | 125 | | |
| WBØOYA | 108 | WØEJ | 117 | | |
| NØBGI | 106 | WØPPF | 112 | | |
| WBØSEL | 103 | KDØQ | 111 | | |
| KDØH | 100 | WBØOYA | 108 | | |
| | | WBØYUI | 107 | | |
| | | WØSML | 104 | | |
| | | KBØSY | 102 | | |
| | | KAØCLQ | 101 | | |

| SSB | CW |
|-------|-------|
| 84211 | 84211 |
| 00050 | 00050 |

Current Countries Total:

| | | | | |
|-------|-------|---|----------|--------------------------|
| 00000 | 00000 | A2 | [38] | Botswana |
| 00000 | 00000 | A3 | [32] | Rep. of Tonga |
| 00000 | 00000 | A4X | [21] | Oman |
| 00000 | 00000 | A5 | [22] | Bhutan |
| 00000 | 00000 | A6X | [21] | United Arab Emirates |
| 00000 | 00000 | A7X | [21] | Qatar |
| 00000 | 00000 | A9X | [21] | Bahrain |
| | | AA (Sec K) | | |
| 00000 | 00000 | AP | [21] | Pakistan |
| 00000 | 00000 | BV | [24] | Taiwan |
| 00000 | 00000 | BY | [23, 24] | China |
| 00000 | 00000 | C2 | [31] | Rep. of Nauru |
| 00000 | 00000 | C3 | [14] | Andorra |
| 00000 | 00000 | C5 | [35] | The Gambia |
| 00000 | 00000 | C6 | [8] | Bahamas |
| 00000 | 00000 | C9 | [37] | Mozambique |
| 00000 | 00000 | CE | [12] | Chile |
| | | CE9AA-AM, FB8Y, KC4, LA, LU-Z, OR4, UA1, UK1, VK0, VP8, ZL5, ZS1, 3Y, 4K, 8J | | Antarctica |
| 00000 | 00000 | | | |
| | | CE9AN-AZ (Sec VP8) | | |
| 00000 | 00000 | CE0A | [12] | Easter Is. |
| 00000 | 00000 | CE0X | [12] | San Felix |
| 00000 | 00000 | CE0Z | [12] | Juan Fernandez |
| 00000 | 00000 | CM, CO | [8] | Cuba |
| 00000 | 00000 | CN | [33] | Morocco |
| 00000 | 00000 | CP | [10] | Bolivia |
| 00000 | 00000 | CR3 | [35] | Guinea-Bissau |
| 00000 | 00000 | CR9 | [24] | Macao |
| 00000 | 00000 | CT | [14] | Portugal |
| 00000 | 00000 | CT2 | [14] | Azores |
| 00000 | 00000 | CT3 | [33] | Madeira Is. |
| 00000 | 00000 | CX | [13] | Uruguay |
| 00000 | 00000 | D2, 3 | [36] | Angola |
| 00000 | 00000 | D4 | [35] | Rep. of Cape Verde |
| 00000 | 00000 | D6 | [39] | Comoros |
| | | DA, DF, DJ, DK, DL | | |
| 00000 | 00000 | | [14] | Fed. Rep. of Germany |
| 00000 | 00000 | DM, DT, Y | [14] | German Democratic Rep. |
| 00000 | 00000 | DU | [27] | Rep. of Philippines |
| 00000 | 00000 | EA | [14] | Spain |
| 00000 | 00000 | EA6 | [14] | Balearic Is. |
| 00000 | 00000 | EA8 | [33] | Canary Is. |
| 00000 | 00000 | EA9 | [33] | Ceuta and Melilla |
| 00000 | 00000 | EI | [14] | Rep. of Ireland |
| 00000 | 00000 | EL | [35] | Liberia |
| 00000 | 00000 | EP | [21] | Iran |
| 00000 | 00000 | ET | [37] | Ethiopia |
| 00000 | 00000 | F | [14] | France |
| 00000 | 00000 | FB8W | [39] | Crozet |
| 00000 | 00000 | FB8X | [39] | Kerguelen Is. |
| | | FB8Y (Sec CE9AA-AM) | | |
| 00000 | 00000 | FB8Z | [39] | Amsterdam & St. Paul Is. |
| 00000 | 00000 | FC | [15] | Corsica |
| 00000 | 00000 | FG | [8] | Guadeloupe |
| 00000 | 00000 | FG, FS | [8] | Saint Martin |
| 00000 | 00000 | FH | [39] | Mayotte |
| 00000 | 00000 | FK | [32] | New Caledonia |
| 00000 | 00000 | FM | [8] | Martinique |
| 00000 | 00000 | FO | [7] | Clipperton I. |
| 00000 | 00000 | FO | [32] | Fr. Polynesia |
| 00000 | 00000 | FP | [5] | St. Pierre & Miquelon |
| 00000 | 00000 | FR | [39] | Glorioso Is. |
| 00000 | 00000 | FR | [39] | Juan de Nova, Europa |
| 00000 | 00000 | FR | [39] | Reunion |
| 00000 | 00000 | FR | [39] | Tromelin |

| SSB | CW |
|-------|-------|
| 84211 | 84211 |
| 00050 | 00050 |

| | | | | |
|-------|-------|------------------------|-----------|---------------------------------------|
| 00000 | 00000 | FW | [32] | Wallis & Futuna Is. |
| 00000 | 00000 | FY | [9] | Fr. Guiana |
| 00000 | 00000 | G | [14] | England |
| 00000 | 00000 | GD | [14] | Isle of Man |
| 00000 | 00000 | GI | [14] | Northern Ireland |
| 00000 | 00000 | GJ, GC | [14] | Jersey |
| 00000 | 00000 | GM | [14] | Scotland |
| 00000 | 00000 | GU, GC | [14] | Guernsey & Dependencies |
| 00000 | 00000 | GW | [14] | Wales |
| 00000 | 00000 | H4, VR4 | [28] | Solomon Is. |
| 00000 | 00000 | HA | [15] | Hungary |
| 00000 | 00000 | HB | [14] | Switzerland |
| 00000 | 00000 | HB0 | [15] | Liechtenstein |
| 00000 | 00000 | HC | [10] | Ecuador |
| 00000 | 00000 | HC8 | [10] | Galapagos Isls. |
| 00000 | 00000 | HH | [8] | Haiti |
| 00000 | 00000 | HI | [8] | Dominican Rep. |
| 00000 | 00000 | HK | [9] | Colombia |
| 00000 | 00000 | HK0 | [8] | Bajo Nuevo |
| 00000 | 00000 | HK0 | [10] | Malpelo I. |
| 00000 | 00000 | HK0 | [7] | San Andres & Providencia |
| | | HK0 (Sec KS4) | | |
| 00000 | 00000 | HL, HM | [25] | Korea |
| 00000 | 00000 | HP | [7] | Panama |
| 00000 | 00000 | HR | [7] | Honduras |
| 00000 | 00000 | HS | [26] | Thailand |
| 00000 | 00000 | HV | [15] | Vatican |
| 00000 | 00000 | HZ, 7Z | [21] | Saudi Arabia |
| 00000 | 00000 | I, IT | [15] | Italy |
| 00000 | 00000 | IS | [15] | Sardinia |
| 00000 | 00000 | J2, FL8 | [37] | Djibouti |
| 00000 | 00000 | J3, VP2G | [8] | Grenada & Dependencies |
| 00000 | 00000 | J6, VP2L | [8] | St. Lucia |
| 00000 | 00000 | J7, VP2L | [8] | Dominica |
| 00000 | 00000 | JA, JE, JG, JH, JR, KA | [25] | Japan |
| 00000 | 00000 | JD, KA1 | [27] | Minami Torishima |
| 00000 | 00000 | JD, KA1 | [27] | Ogasawara |
| | | | | |
| 00000 | 00000 | JT | [23] | Mongolia |
| 00000 | 00000 | JW | [40] | Svalbard |
| 00000 | 00000 | JX | [40] | Jan Mayer |
| 00000 | 00000 | JY | [20] | Jordan |
| | | K, W, N, A | | |
| 00000 | 00000 | | [3, 4, 5] | United States of America |
| 00000 | 00000 | KB, KH1 | [31] | Baker, Howland & American Phoenix Is. |
| | | KC4 (Sec CE9AA-AM) | | |
| 00000 | 00000 | KC4, KP1 | [8] | Navassa I. |
| 00000 | 00000 | KC6 | [27] | Eastern Caroline I. |
| 00000 | 00000 | KC6 | [27] | Western Caroline I. |
| 00000 | 00000 | KG4 | [8] | Guantanamo Bay |
| 00000 | 00000 | KG6, KH2 | [27] | Guantanamo Bay |
| 00000 | 00000 | KG6R, S, T, KH0 | [27] | Mariana I. |
| 00000 | 00000 | KH6 | [31] | Hawaiian I. |
| 00000 | 00000 | KH7 | [31] | Kure |
| 00000 | 00000 | KJ, KH3 | [31] | Johnston |
| 00000 | 00000 | KL7 | [1] | Alaska |
| 00000 | 00000 | KM, KH4 | [31] | Midway I. |
| 00000 | 00000 | KP4 | [8] | Puerto Rico |
| 00000 | 00000 | KP4 | | Desecheo I. |
| 00000 | 00000 | KP6, KH5K | [31] | Kingman Reef |
| 00000 | 00000 | KP6, KH5 | [31] | Palmyra, Jarvis |
| | | KS4, KP3, HK0 | | |
| 00000 | 00000 | | [7] | Serrana Bank & Roncador C. |
| 00000 | 00000 | KS6, KH8 | [32] | American Samoa |

| SSB | CW |
|-------|-------|
| 84211 | 84211 |
| 00050 | 00050 |

00000 00000 KV, KP2 ... [8] ... Virgin Is.
 00000 00000 KW, KH9 ... [31] ... Wake I.
 00000 00000 KX ... [31] ... Marshall Is.
 00000 00000 LA, LB, LF, LG, LJ [14] ... Norway
 LA (See CE9AA-AM)
 00000 00000 LU ... [13] ... Argentina
 LU-Z (See CE9AA-AM, VP8)
 00000 00000 LX ... [14] ... Luxembourg
 00000 00000 LZ ... [20] ... Bulgaria
 M1 (See 9A)
 N (See K)
 00000 00000 OA ... [10] ... Peru
 00000 00000 OD ... [20] ... Lebanon
 00000 00000 OE ... [15] ... Austria
 00000 00000 OH ... [15] ... Finland
 00000 00000 OH0 ... [15] ... Aland Is.
 00000 00000 OJ0 ... [15] ... Market
 00000 00000 OK ... [15] ... Czechoslovakia
 00000 00000 ON ... [14] ... Belgium
 OR4 (See CE9AA-AM)
 00000 00000 OX, XP ... [40] ... Greenland
 00000 00000 OY ... [14] ... Faroe Is.
 00000 00000 OZ ... [14] ... Denmark
 00000 00000 P2 ... [28] ... Papua New Guinea
 00000 00000 PA, PD, PE, PI [14] ... Netherlands
 00000 00000 PJ ... [9] ... Neth. Antilles
 00000 00000 PJ ... [9] St. Maarten, Saba, St. Eustatius
 00000 00000 PY ... [11] ... Brazil
 00000 00000 PY0 ... [11] Fernando de Noronha
 00000 00000 PY0 ... [11] St. Peter & St. Paul's Rocks
 00000 00000 PY0 ... [11] Trindade & Martim Vaz Is.
 00000 00000 PZ ... [9] ... Surinam
 00000 00000 S2 ... [22] ... Bangladesh
 00000 00000 S7 ... [39] ... Seychelles
 00000 00000 S9, CR5 ... [36] Sao Tome & Principe
 00000 00000 SK, SL, SM ... [14] ... Sweden
 00000 00000 SP ... [15] ... Poland
 00000 00000 ST ... [34] ... Sudan
 00000 00000 ST0 ... [34] ... Southern Sudan
 00000 00000 SU ... [34] ... Egypt
 00000 00000 SV ... [20] ... Greece
 00000 00000 SV ... [20] ... Crete
 00000 00000 SV ... [20] ... Dodecanese
 00000 00000 SV ... [20] ... Mount Athos
 00000 00000 TA ... [20] ... Turkey
 00000 00000 TF ... [40] ... Iceland
 00000 00000 TG ... [7] ... Guatemala
 00000 00000 TI ... [7] ... Costa Rica
 00000 00000 TI9 ... [7] ... Cocos I.
 00000 00000 TJ ... [36] ... Cameroon
 00000 00000 TL ... [36] ... Central African Empire
 00000 00000 TN ... [36] ... Congo
 00000 00000 TR ... [36] ... Gabon
 00000 00000 TT ... [36] ... Chad
 00000 00000 TU ... [35] ... Ivory Coast
 00000 00000 TY ... [35] ... Benin
 00000 00000 TZ ... [35] ... Mali
 T2 (See VR8)
 T3 (See VR)

| SSB | CW |
|-------|-------|
| 84211 | 84211 |
| 00050 | 00050 |

UA: UK1,3,4,6; UV; UW1-6; UN1
 00000 00000 ... [16] ... European Russian S.F.S.R.
 00000 00000 UA1, UK1 ... [40] ... Franz Josef Land
 UA1, UK1 (See CE9AA-AM)
 00000 00000 UA2, UK2F ... [15] ... Kaliningradsk
 UA, UK, UV, UW9-0
 00000 00000 [16, 17, 18, 19, 23] Asiatic R.S.F.S.R.
 00000 00000 UB, UK, UT, UY5 ... [16] ... Ukraine
 UC2, UK2A/C/I/L/O/S/W
 00000 00000 ... [16] ... White R.S.S.R.
 00000 00000 UD6, UK6C/D/K ... [21] ... Azerbaijan
 00000 00000 UF6, UK6F/O/Q/V [21] ... Georgia
 00000 00000 UG6, UK6G ... [21] ... Armenia
 00000 00000 UH8, UK8H ... [17] ... Turkoman
 00000 00000 UI8, UK8 ... [17] ... Uzbek
 00000 00000 UJ8, UK8J/R ... [17] ... Tadzhiik
 00000 00000 UL7, UK7 ... [17] ... Kazakh
 00000 00000 UM8, UK8M, N ... [17] ... Kirghiz
 00000 00000 UO5, UK5O ... [16] ... Moldavia
 00000 00000 UP2, UK2B/P ... [15] ... Lithuania
 00000 00000 UQ2, UK2G/Q ... [15] ... Latvia
 00000 00000 UR2, UK2R/T ... [15] ... Estonia
 00000 00000 VE, VO ... [1, 2, 3, 4, 5] ... Canada
 00000 00000 VE1 ... [5] ... Sable I.
 00000 00000 VE1 ... St. Paul I.
 00000 00000 VK ... [29, 30] ... Australia
 00000 00000 VK ... [30] ... Lord Howe I.
 00000 00000 VK9 ... [30] ... Willis I.
 00000 00000 VK9 ... [29] ... Christmas I.
 00000 00000 VK9 ... [29] ... Cocos I.
 00000 00000 VK9 ... [30] ... Mellish Reef
 00000 00000 VK9 ... [32] ... Norfolk I.
 VK0 (See CE9AA-AM)
 00000 00000 VK0 ... [39] ... Heard I.
 00000 00000 VK0 ... [30] ... Macquarie I.
 VO (See VE)
 00000 00000 VP1 ... [7] ... Belize
 00000 00000 VP2A ... [8] ... Antigua, Barbuda
 00000 00000 VP2E ... [8] ... Anguilla
 00000 00000 VP2K ... [8] ... St. Kitts, Nevis
 00000 00000 VP2M ... [8] ... Montserrat
 00000 00000 VP2S [8] ... St. Vincent & Dependencies
 00000 00000 VP2V ... [8] ... Brit. Virgin Is.
 00000 00000 VP5 ... [8] ... Turks & Caicos Is.
 VP8 (See CE9AA-AM)
 00000 00000 VP8 ... [13] ... Falkland Is.
 00000 00000 VP8, LU-Z ... [13] ... So. Georgia Is.
 00000 00000 VP8, LU-Z ... [13] ... So. Orkney Is.
 00000 00000 VP8, LU-Z ... [13] ... So. Sandwich Is.
 VP8, LU-Z, CE9AN-AZ
 00000 00000 ... [13] ... So. Shetland Is.
 00000 00000 VP9 ... [5] ... Bermuda
 00000 00000 VQ9 ... [39] ... Chagos
 00000 00000 VR1, T3 ... [31] ... Brit. Phoenix Is.
 00000 00000 VR1, T3 ... [31] ... Gilbert & Ocean Is.
 00000 00000 VR3, 7, T3 ... [31] ... Line Is.
 00000 00000 VR6 ... [32] ... Pitcairn I.
 VR7 (See VR3)
 00000 00000 VR8, T2 ... [31] ... Tuvalu

| SSB | CW |
|-------|-------|
| 84211 | 84211 |
| 00050 | 00050 |

| | | | | |
|-------|-------|-------------|----------------|-----------------------------|
| 00000 | 00000 | VS5 | [28] | Brunei |
| 00000 | 00000 | VS6 | [24] | Hong Kong |
| | | VS9 | (See 8Q) | |
| 00000 | 00000 | VS9K | | Kamran I. |
| 00000 | 00000 | VU | [22] | India |
| 00000 | 00000 | VU7 | [26] | Andaman & Nicobar Is. |
| 00000 | 00000 | VU7 | [22] | Laccadive Is. |
| | | W | (See K) | |
| 00000 | 00000 | XE | [6] | Mexico |
| 00000 | 00000 | XF4 | [6] | Revilla Gigedo |
| | | XP | (See OX) | |
| 00000 | 00000 | XT | [35] | Upper Volta |
| 00000 | 00000 | XU | [26] | Khmer Rep. |
| 00000 | 00000 | XV | [26] | Vietnam |
| 00000 | 00000 | XW | [26] | Lao People's Dem. Rep. |
| 00000 | 00000 | XZ | [26] | Burma |
| 00000 | 00000 | YA | [21] | Afghanistan |
| 00000 | 00000 | YB,YC | [28] | Indonesia |
| 00000 | 00000 | YI | [21] | Iraq |
| 00000 | 00000 | YJ | [32] | (New Hebrides) |
| 00000 | 00000 | YK | [20] | Syria |
| 00000 | 00000 | YN | [7] | Nicaragua |
| 00000 | 00000 | YO | [20] | Rumania |
| 00000 | 00000 | YS | [7] | Salvador |
| 00000 | 00000 | YU | [15] | Yugoslavia |
| 00000 | 00000 | YV | [9] | Venezuela |
| 00000 | 00000 | YV0 | [8] | Aves I. |
| 00000 | 00000 | ZA | [15] | Albania |
| 00000 | 00000 | ZB | [14] | Gibraltar |
| | | ZC | (See 5B) | |
| 00000 | 00000 | ZD7 | [36] | St. Helena |
| 00000 | 00000 | ZD8 | [36] | Ascension I. |
| 00000 | 00000 | ZD9 | [38] | Tristan da Cunha & Gough I. |
| 00000 | 00000 | ZE | [38] | ZIMBABWE (Rhodesia) |
| 00000 | 00000 | ZF | [8] | Cayman Is. |
| 00000 | 00000 | ZK1 | [32] | So. Cook Is. |
| 00000 | 00000 | ZK1 | [32] | No. Cook Is. |
| 00000 | 00000 | ZK2 | [32] | Niue |
| 00000 | 00000 | ZL | [32] | New Zealand |
| 00000 | 00000 | ZL | [32] | Auckland I. & Campbell I. |
| 00000 | 00000 | ZL | [32] | Chatham Is. |
| 00000 | 00000 | ZL | [32] | Kermadec Is. |
| | | ZL5 | (See CE9AA-AM) | |
| 00000 | 00000 | ZM7 | [31] | Tokelaus |
| 00000 | 00000 | ZP | [11] | Paraguay |
| 00000 | 00000 | ZS1,2,4,5,6 | [38] | South Africa |
| | | ZS1 | (See CE9AA-AM) | |
| 00000 | 00000 | ZS2 | [38] | Prince Edward & Marion Is. |
| 00000 | 00000 | ZS3 | [38] | (Namibia) Southwest Africa |
| 00000 | 00000 | IS | [26] | Spratly Is. |
| 00000 | 00000 | 3A | [14] | Monaco |
| 00000 | 00000 | 3B6,7 | [39] | Agalega & St. Brandon |
| 00000 | 00000 | 3B8 | [39] | Mauritius |
| 00000 | 00000 | 3B9 | [39] | Rodriguez I. |
| 00000 | 00000 | 3C | [36] | Equatorial Guinea |

| SSB | CW |
|-------|-------|
| 84211 | 84211 |
| 00050 | 00050 |

| | | | | |
|-------|-------|---------|----------------|-----------------------------|
| 00000 | 00000 | 3C0 | [36] | Annobon |
| 00000 | 00000 | 3D2 | [32] | Fiji Is. |
| 00000 | 00000 | 3D6 | [38] | Swaziland |
| 00000 | 00000 | 3V | [32] | Tunisia |
| 00000 | 00000 | 3X | [35] | Rep. of Guinea |
| 00000 | 00000 | 3Y | [38] | Bouvet |
| | | 3Y | (See CE9AA-AM) | |
| | | 4K | (See CE9AA-AM) | |
| 00000 | 00000 | 4S | [22] | Sri Lanka |
| 00000 | 00000 | 4U | [14] | I.T.U. Geneva |
| 00000 | 00000 | 4U | [5] | Hq., United Nations |
| 00000 | 00000 | 4W | [21] | Yemen |
| 00000 | 00000 | 4X,4Z | [20] | Israel |
| 00000 | 00000 | 5A | [34] | Libya |
| 00000 | 00000 | 5B,ZC | [20] | Cyprus |
| 00000 | 00000 | 5H | [37] | Tanzania |
| 00000 | 00000 | 5N | [35] | Nigeria |
| 00000 | 00000 | 5R | [39] | Malagasy Rep. |
| 00000 | 00000 | 5T | [35] | Mauritania |
| 00000 | 00000 | 5U | [35] | Niger |
| 00000 | 00000 | 5V | [35] | Togo |
| 00000 | 00000 | 5W | [32] | Western Samoa |
| 00000 | 00000 | 5X | [37] | Uganda |
| 00000 | 00000 | 5Z | [37] | Kenya |
| 00000 | 00000 | 6O | [37] | Somali |
| 00000 | 00000 | 6W | [35] | Senegal |
| 00000 | 00000 | 6Y | [8] | Jamaica |
| 00000 | 00000 | 7O | [21] | People's Dem. Rep. of Yemen |
| 00000 | 00000 | 7P | [38] | Lesotho |
| 00000 | 00000 | 7Q | [36] | Malawi |
| 00000 | 00000 | 7X | [32] | Algeria |
| | | 7Z | (See HZ) | |
| | | 8J | (See CE9AA-AM) | |
| 00000 | 00000 | 8P | [8] | Barbados |
| 00000 | 00000 | 8Q,VS9 | [22] | Maldivé Is. |
| 00000 | 00000 | 8R | [9] | Guyana |
| 00000 | 00000 | 8Z4 | [21] | Saudi Arabia/Iraq |
| | | | | Neutral Zone |
| 00000 | 00000 | 9A,(M1) | [15] | San Marino |
| 00000 | 00000 | 9G | [35] | Ghana |
| 00000 | 00000 | 9H | [15] | Malta |
| 00000 | 00000 | 9J | [36] | Zambia |
| 00000 | 00000 | 9K | [21] | Kuwait |
| 00000 | 00000 | 9L | [35] | Sierra Leone |
| 00000 | 00000 | 9M2 | [28] | West Malaysia |
| 00000 | 00000 | 9M6,8 | [28] | East Malaysia |
| 00000 | 00000 | 9N | [22] | Nepal |
| 00000 | 00000 | 9Q | [36] | Rep. of Zaire |
| 00000 | 00000 | 9U | [36] | Burundi |
| 00000 | 00000 | 9V | [28] | Singapore |
| 00000 | 00000 | 9X | [36] | Rwanda |
| 00000 | 00000 | 9Y | [9] | Trinidad & Tobago |
| 00000 | 00000 | | | Abu Ail; Jabal at Fair |

SSB

CW

ZONE

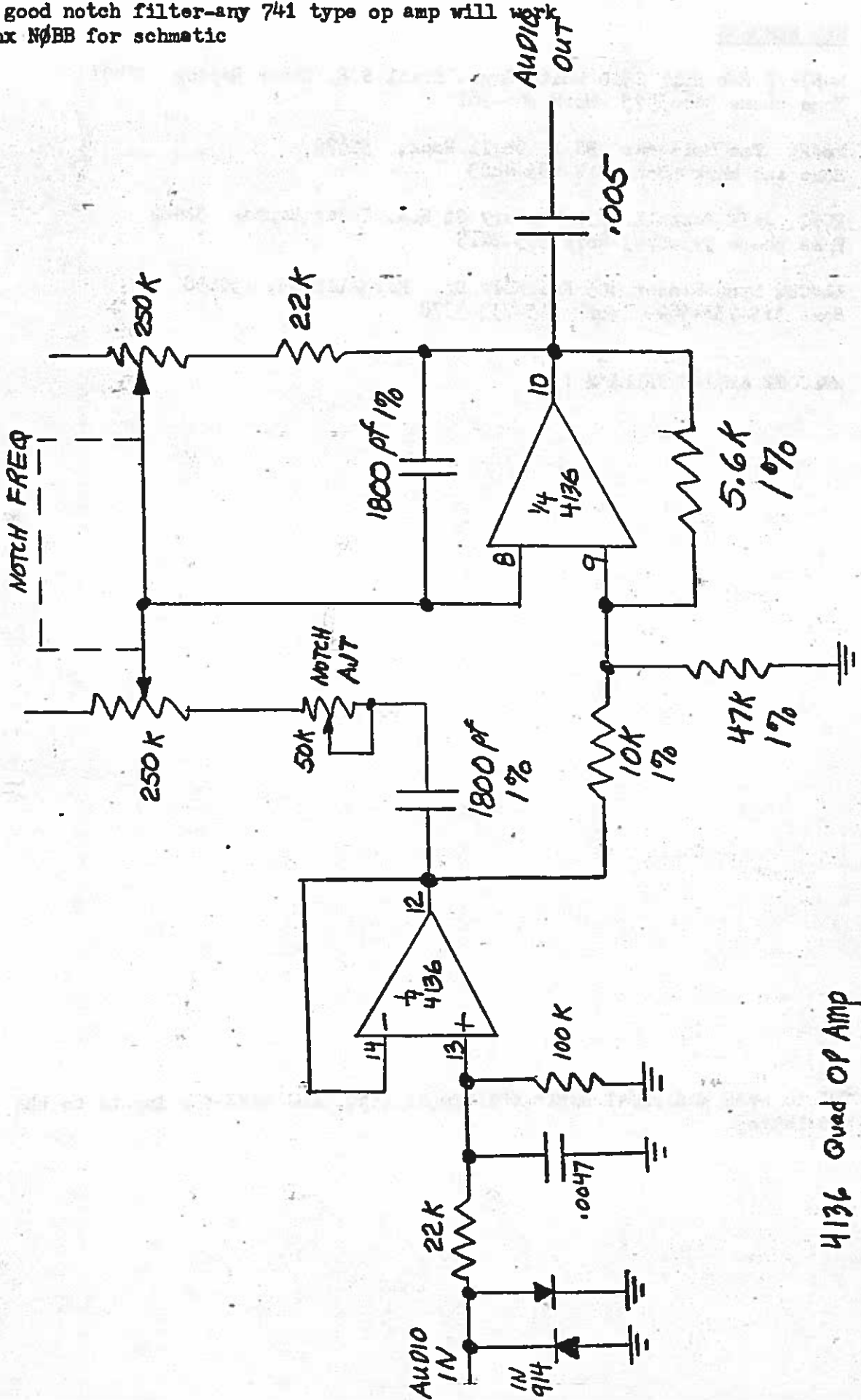
| | | | | |
|---|---|---|---|---|
| 8 | 4 | 2 | 1 | 1 |
| 0 | 0 | 0 | 5 | 0 |

| | | | | |
|---|---|---|---|---|
| 8 | 4 | 2 | 1 | 1 |
| 0 | 0 | 0 | 5 | 0 |

| SSB | CW | ZONE |
|-----------|-----------|------|
| ○ ○ ○ ○ ○ | ○ ○ ○ ○ ○ | 1 |
| ○ ○ ○ ○ ○ | ○ ○ ○ ○ ○ | 2 |
| ○ ○ ○ ○ ○ | ○ ○ ○ ○ ○ | 3 |
| ○ ○ ○ ○ ○ | ○ ○ ○ ○ ○ | 4 |
| ○ ○ ○ ○ ○ | ○ ○ ○ ○ ○ | 5 |
| ○ ○ ○ ○ ○ | ○ ○ ○ ○ ○ | 6 |
| ○ ○ ○ ○ ○ | ○ ○ ○ ○ ○ | 7 |
| ○ ○ ○ ○ ○ | ○ ○ ○ ○ ○ | 8 |
| ○ ○ ○ ○ ○ | ○ ○ ○ ○ ○ | 9 |
| ○ ○ ○ ○ ○ | ○ ○ ○ ○ ○ | 10 |
| ○ ○ ○ ○ ○ | ○ ○ ○ ○ ○ | 11 |
| ○ ○ ○ ○ ○ | ○ ○ ○ ○ ○ | 12 |
| ○ ○ ○ ○ ○ | ○ ○ ○ ○ ○ | 13 |
| ○ ○ ○ ○ ○ | ○ ○ ○ ○ ○ | 14 |
| ○ ○ ○ ○ ○ | ○ ○ ○ ○ ○ | 15 |
| ○ ○ ○ ○ ○ | ○ ○ ○ ○ ○ | 16 |
| ○ ○ ○ ○ ○ | ○ ○ ○ ○ ○ | 17 |
| ○ ○ ○ ○ ○ | ○ ○ ○ ○ ○ | 18 |
| ○ ○ ○ ○ ○ | ○ ○ ○ ○ ○ | 19 |
| ○ ○ ○ ○ ○ | ○ ○ ○ ○ ○ | 20 |
| ○ ○ ○ ○ ○ | ○ ○ ○ ○ ○ | 21 |
| ○ ○ ○ ○ ○ | ○ ○ ○ ○ ○ | 22 |
| ○ ○ ○ ○ ○ | ○ ○ ○ ○ ○ | 23 |
| ○ ○ ○ ○ ○ | ○ ○ ○ ○ ○ | 24 |
| ○ ○ ○ ○ ○ | ○ ○ ○ ○ ○ | 25 |
| ○ ○ ○ ○ ○ | ○ ○ ○ ○ ○ | 26 |
| ○ ○ ○ ○ ○ | ○ ○ ○ ○ ○ | 27 |
| ○ ○ ○ ○ ○ | ○ ○ ○ ○ ○ | 28 |
| ○ ○ ○ ○ ○ | ○ ○ ○ ○ ○ | 29 |
| ○ ○ ○ ○ ○ | ○ ○ ○ ○ ○ | 30 |
| ○ ○ ○ ○ ○ | ○ ○ ○ ○ ○ | 31 |
| ○ ○ ○ ○ ○ | ○ ○ ○ ○ ○ | 32 |
| ○ ○ ○ ○ ○ | ○ ○ ○ ○ ○ | 33 |
| ○ ○ ○ ○ ○ | ○ ○ ○ ○ ○ | 34 |
| ○ ○ ○ ○ ○ | ○ ○ ○ ○ ○ | 35 |
| ○ ○ ○ ○ ○ | ○ ○ ○ ○ ○ | 36 |
| ○ ○ ○ ○ ○ | ○ ○ ○ ○ ○ | 37 |
| ○ ○ ○ ○ ○ | ○ ○ ○ ○ ○ | 38 |
| ○ ○ ○ ○ ○ | ○ ○ ○ ○ ○ | 39 |
| ○ ○ ○ ○ ○ | ○ ○ ○ ○ ○ | 40 |

A good notch filter-any 741 type op amp will work
tnx NBB for schematic

CUBIC 103 NOTCH FILTER



4136 Quad OP Amp
351-1254-010

NEW MEMBERS

W4NIM/Ø Bob Hill 2510 White Eagle Trail S.E. Cedar Rapids 52403
Home phone 366-3975 Work 366-7611

KBØFP Tom Melichar RR 1 Shell Rock, 50670
Home and Work phone 319-885-4803

KCØQ Jeff Russell 731 Danbury St N.E. Cedar Rapids 52402
Home phone 393-8793 Work 395-2213

KAØCLQ Lynn Hansen 305 Friendly Dr. Mashalltown, 50158
Home 515-752-5899 Work 515-753-3378

WELCOME ABOARD FELLA'S !

TNX to WØSR, WØEJ, KØAT, WØEAN, ADØF, KØLUZ, KCØQ, and WØVX for inputs to the newsletter.